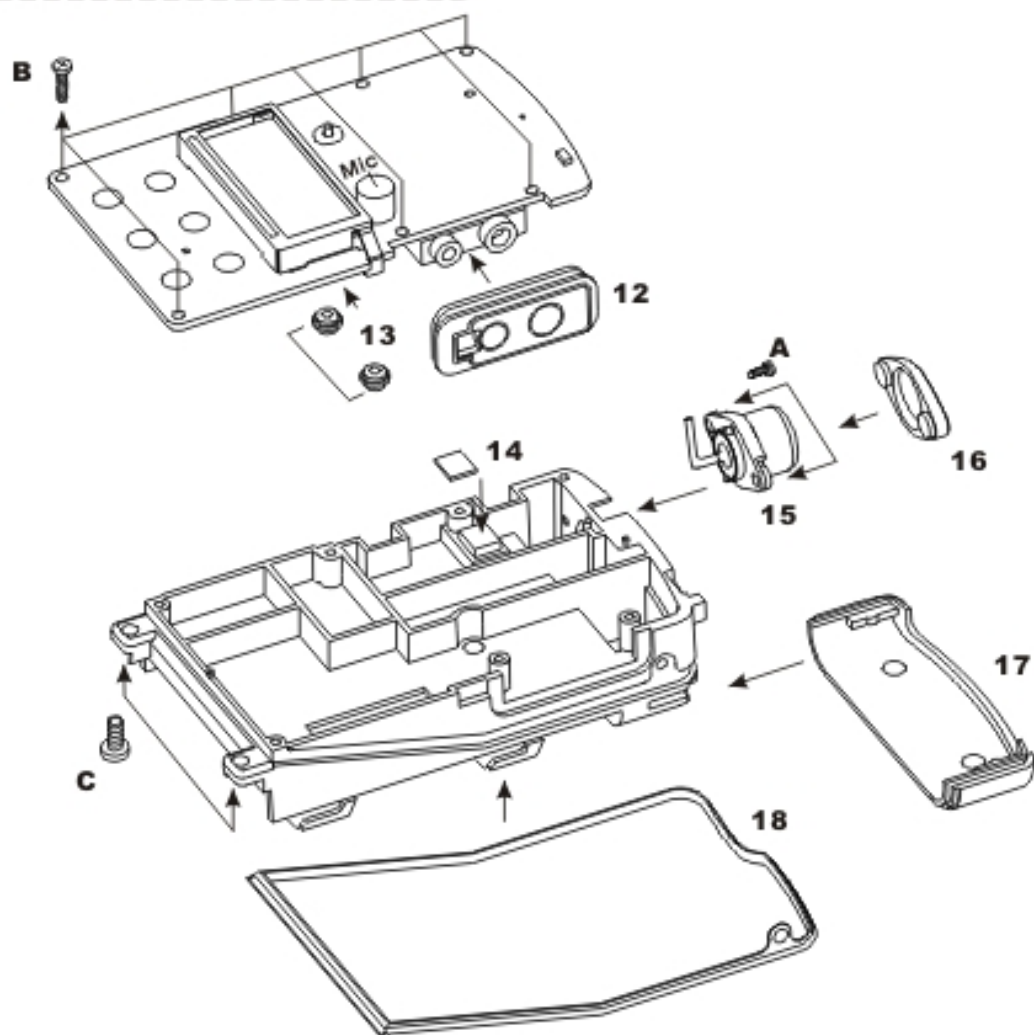
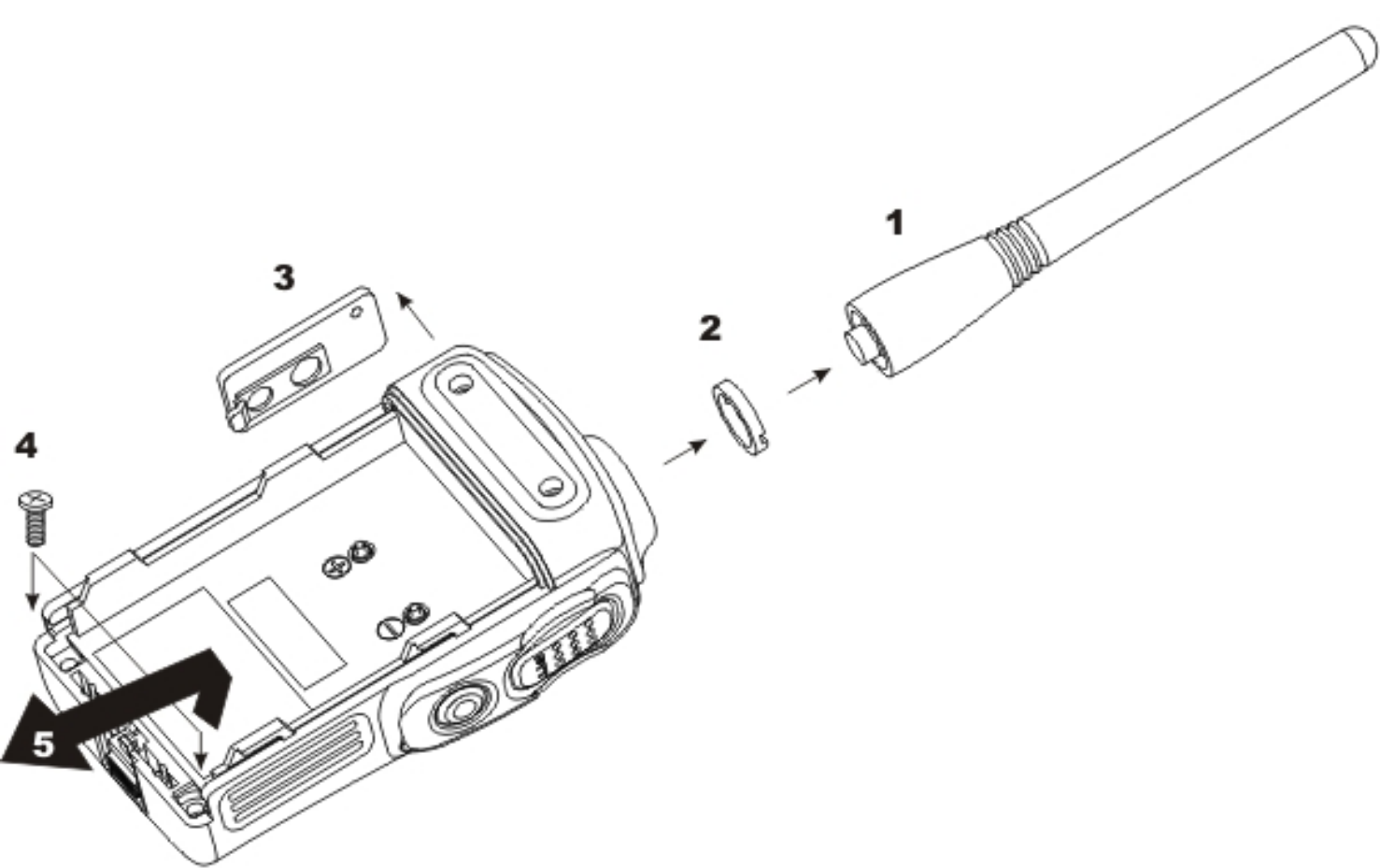


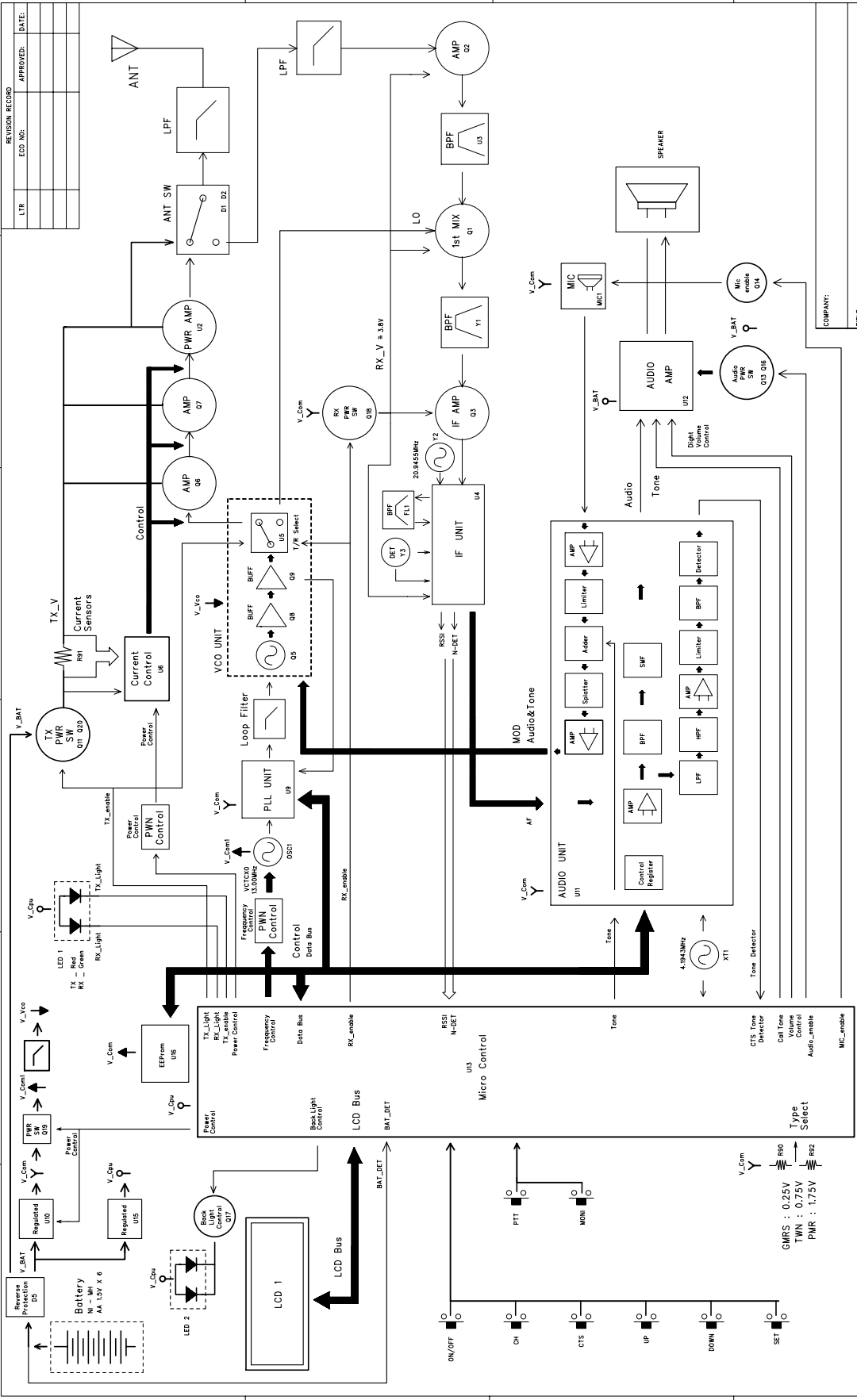
- 1 LCD plastic cover
- 2 Twin adhesive
- 3 Side grip(left and right)
- 4 Rubber key
- 5 Screw
- 6 Ironware
- 7 Lock
- 8 Rubber key
- 9 Transparent leading LED
- 10 Waterproof rubber band of Mic
- 11 Microphone
- 12 Waterproof rubber band of Jack
- 13 Waterproof rubber band of PIN
- 14 Radiator
- 15 Antenna socket
- 16 Waterproof rubber band of antenna socket
- 17 Lower case
- 18 Waterproof rubber band



- A M2*7
 B M2.5*6
 C TP2*3.2(P/W)

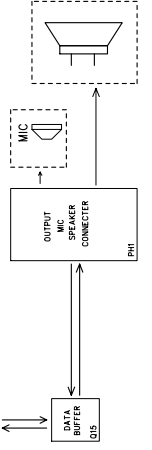
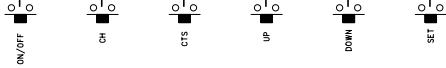


REVISION RECORD		APPROVED:	DATE:
LTB			

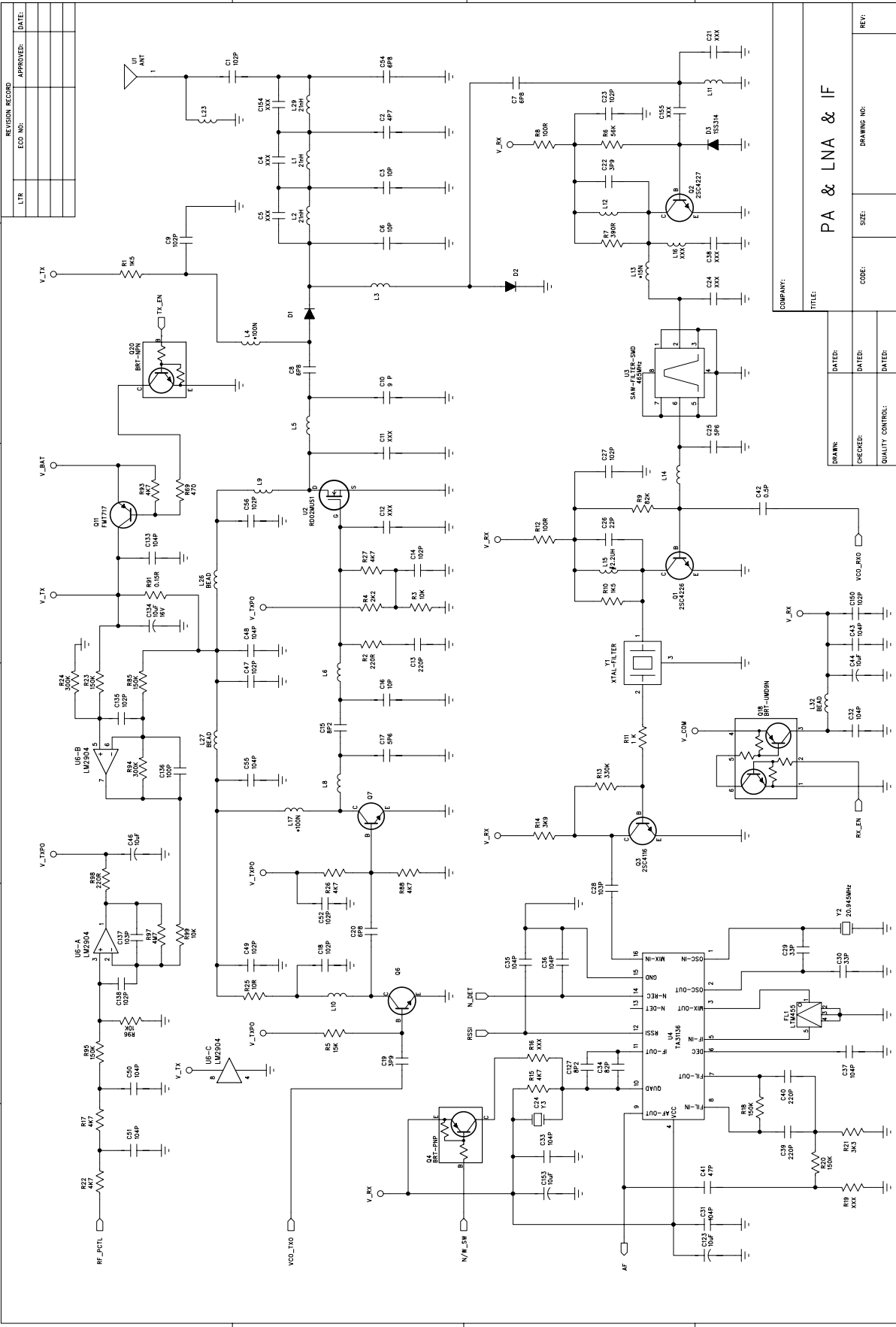


COMPANY:	TITLE:	DATE:	DATE:	DATE:	DATE:	SCALE:	SHEET:	OF
DRAWN:	CHECKED:	QUALITY CONTROL:	RELEASED:					

GMPS : 0.25V
 TWN : 0.75V
 PHIR : 1.75V

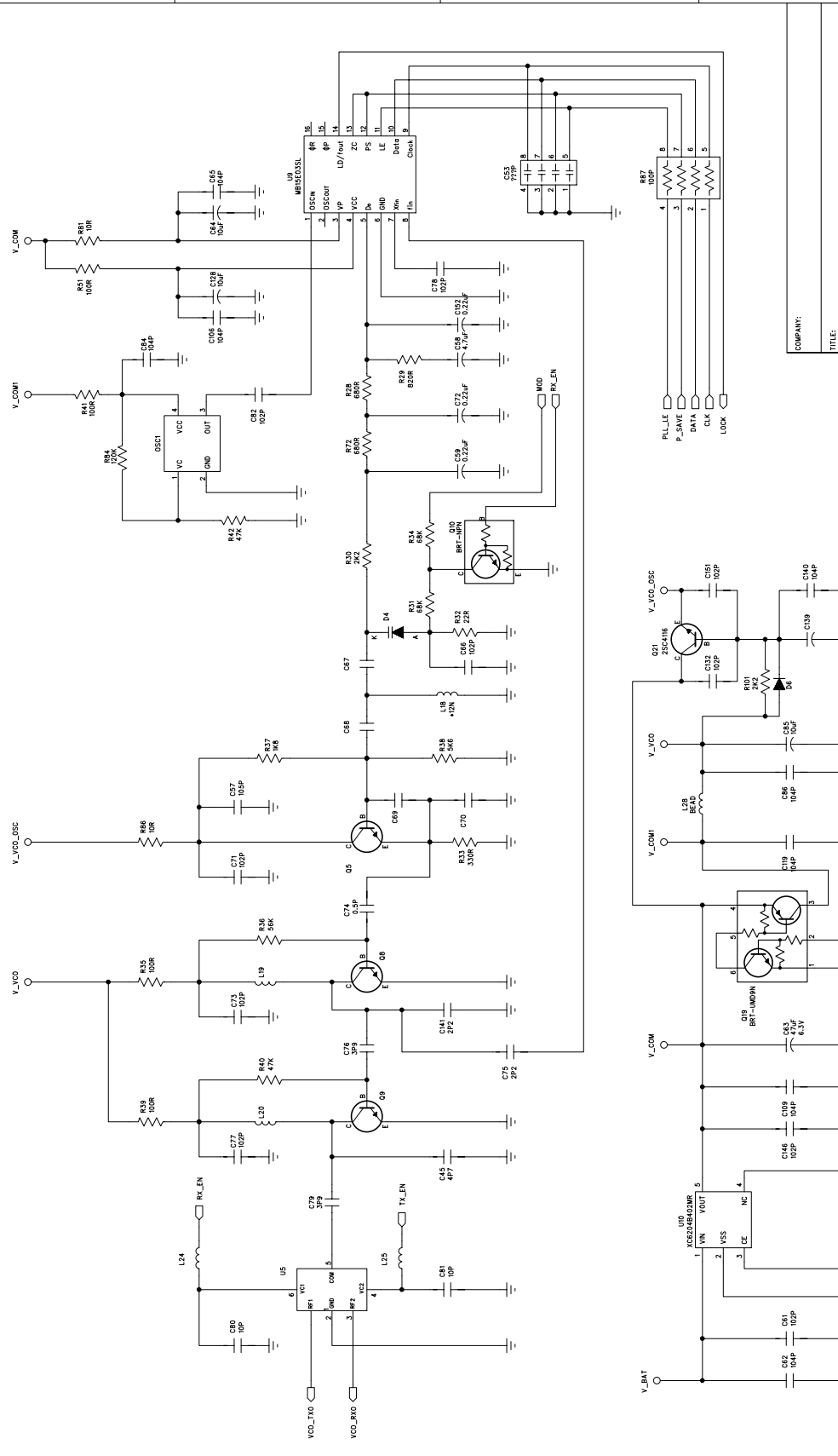


REVISION RECORD		APPROVED:	DATE:
LTB	ECD	IND	



COMPANY:	TITLE:	SCALE:	SHEET:	OF
	PA & LNA & IF			
DRAWN:	CHECKED:	QUALITY CONTROL:	RELEASED:	
DATE:	DATE:	DATE:	DATE:	
	CODE:	SIZE:	DRAWING NO:	REV:

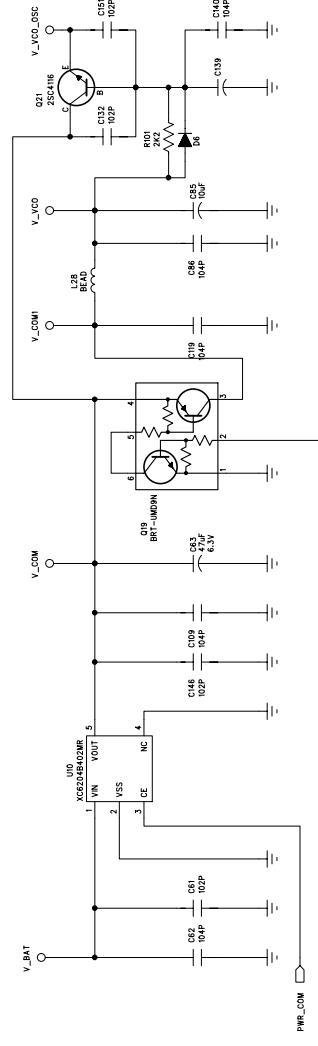
REVISION RECORD		APPROVED:	DATE:
LTB	ECD	ING	



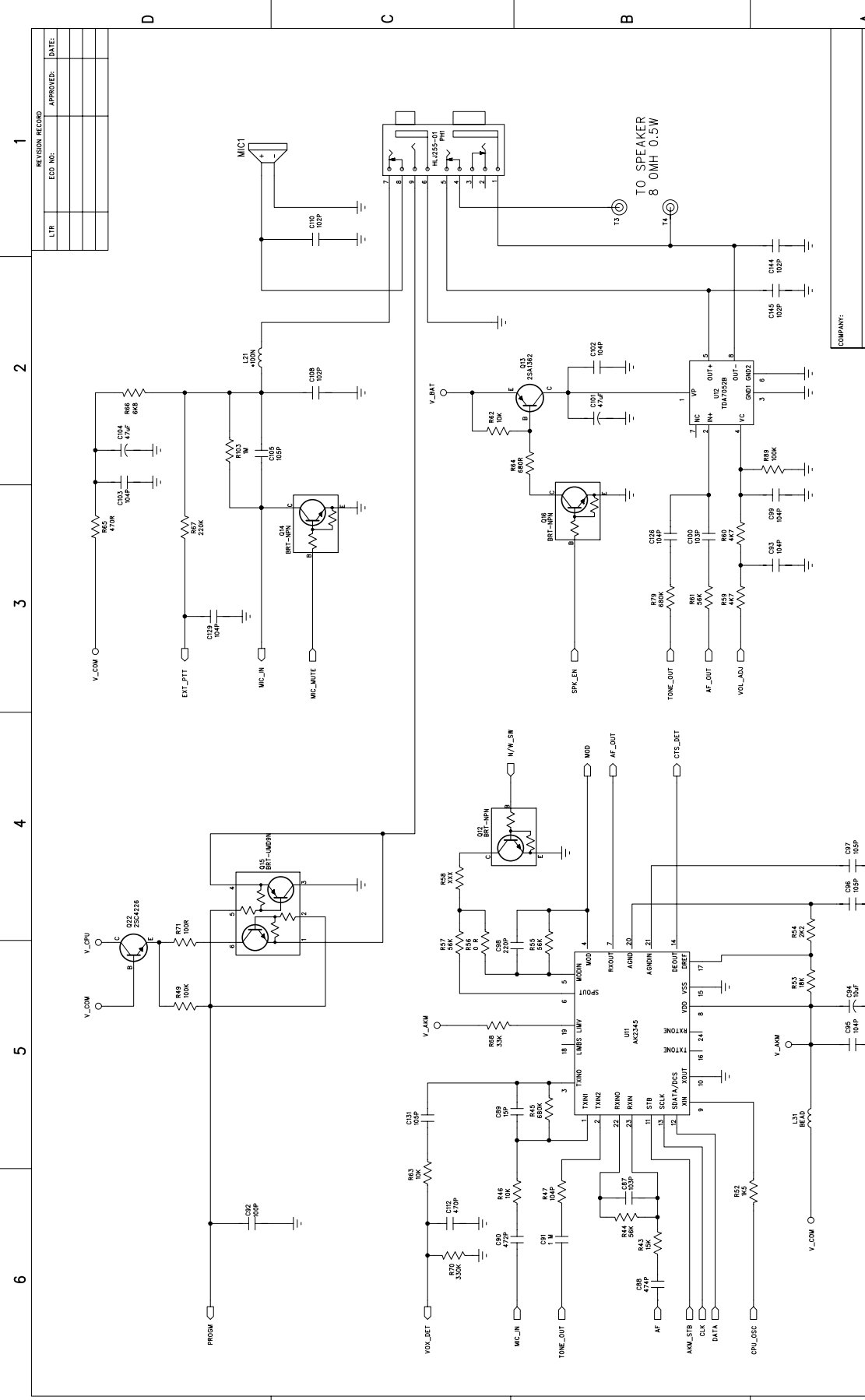
COMPANY:

TITLE: PLL & VCO CIRCUIT DIAGRAM

DATE:	DATE:	DATE:	DATE:
CHECKED:	CODE:	SIZE:	DRAWING NO:
QUALITY CONTROL:	RELEASED:	SCALE:	SHEET: OF



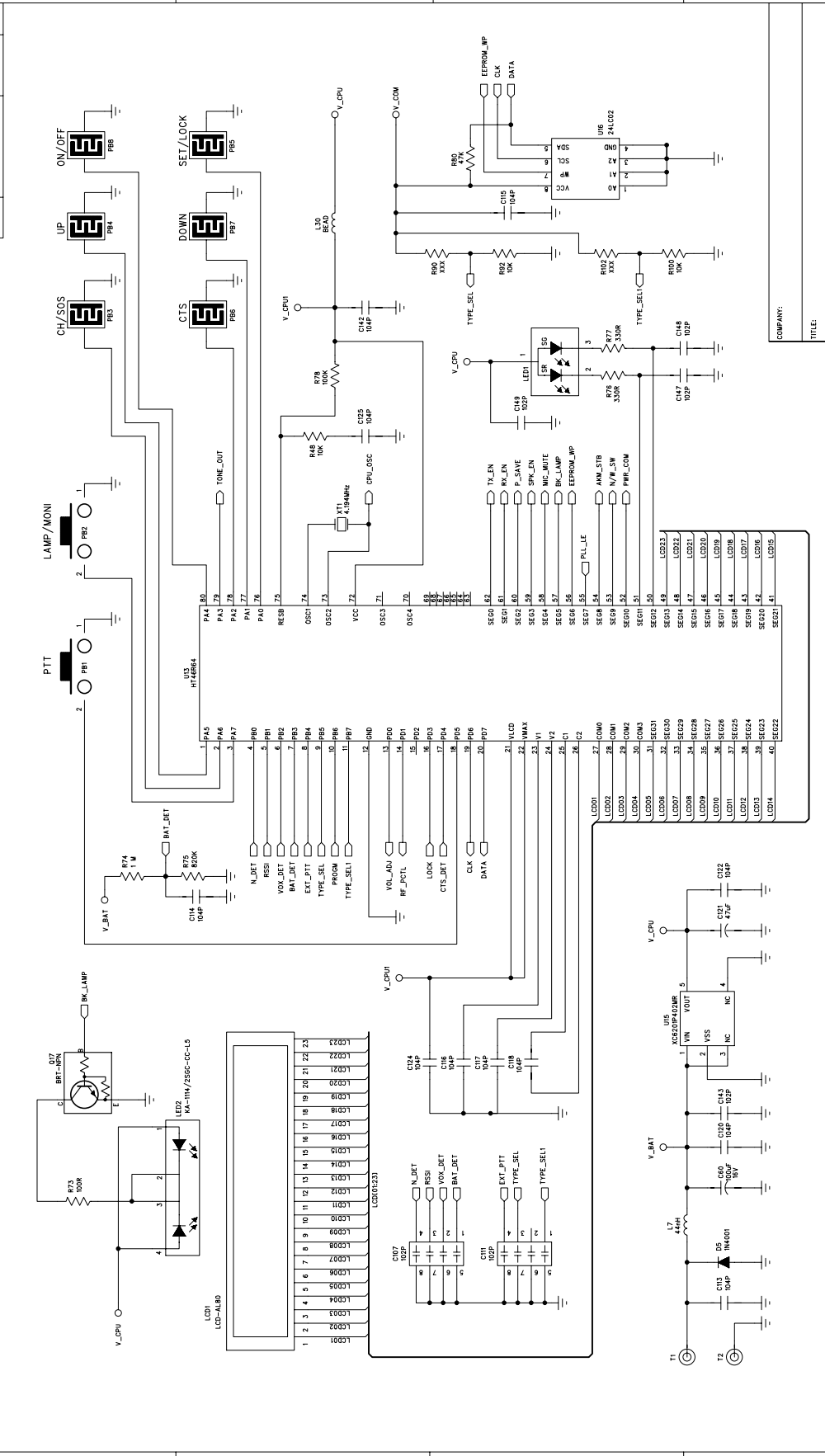
REV.	DESCRIPTION	DATE



COMPANY:		TITLE:	
CTCSS DE/ENCODE & AF_AMP			
DRAWN:	CHECKED:	QUALITY CONTROL:	RELEASED:
DATE:	DATE:	DATE:	DATE:
CODE:	SIZE:	DRAWING NO:	REV:
SCALE:	SHEET:	OF	

1 2 3 4 5 6

REVISION RECORD		APPROVED:	DATE:
LTB	ECO NO:		

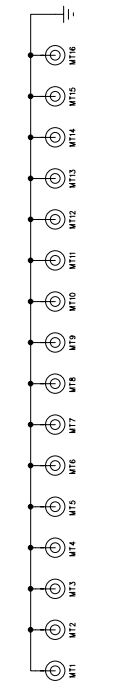


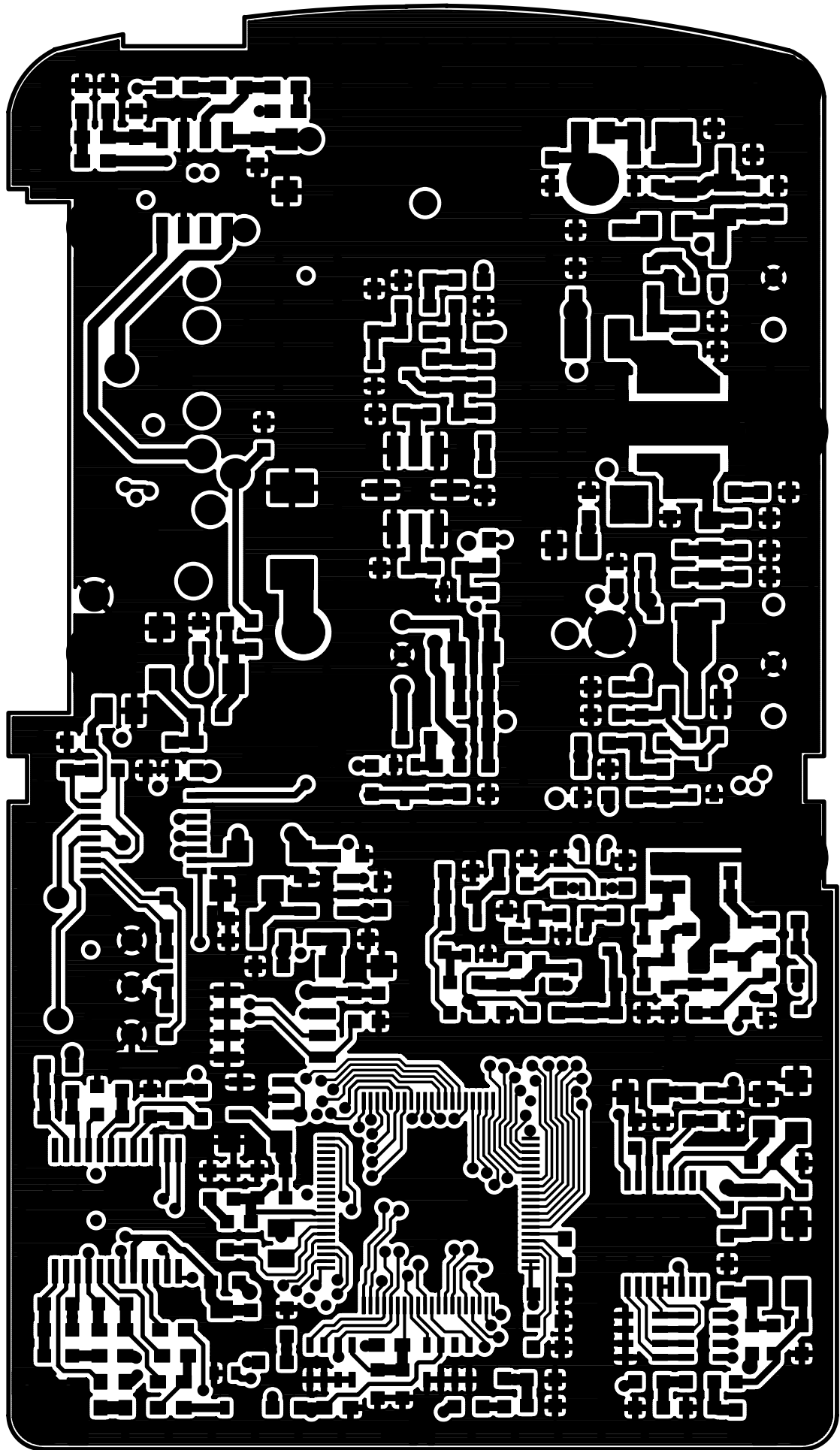
COMPANY:		TITLE:	
DATE:	DATE:	DATE:	DATE:
CHECKED:	DATE:	QUALITY CONTROL:	DATE:
RELEASED:	DATE:	SCALE:	SHEET: OF

CPU & DIGITAL CONTROL	
DRAWING NO:	REV:
CODE:	SIZE:
DATE:	DATE:
DATE:	DATE:

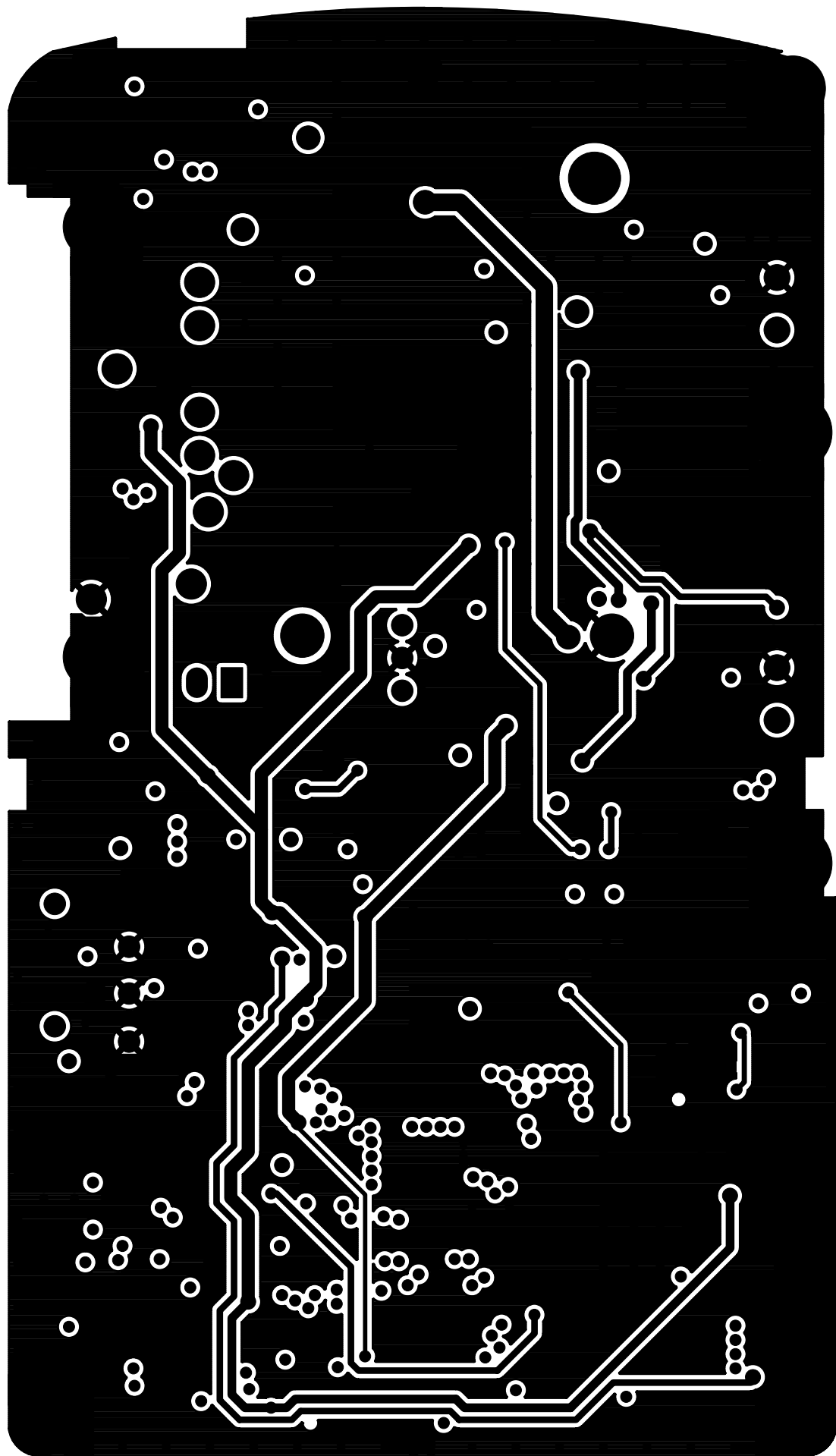
LED1	LED2	LED3	LED4	LED5	LED6	LED7	LED8	LED9	LED10	LED11	LED12	LED13	LED14	LED15	LED16	LED17	LED18	LED19	LED20	LED21	LED22	LED23	LED24	LED25	LED26	LED27	LED28	LED29	LED30	LED31	LED32	LED33	LED34	LED35	LED36	LED37	LED38	LED39	LED40
------	------	------	------	------	------	------	------	------	-------	-------	-------	-------	-------	-------	-------	-------	-------	-------	-------	-------	-------	-------	-------	-------	-------	-------	-------	-------	-------	-------	-------	-------	-------	-------	-------	-------	-------	-------	-------

SEG0	SEG1	SEG2	SEG3	SEG4	SEG5	SEG6	SEG7	SEG8	SEG9	SEG10	SEG11	SEG12	SEG13	SEG14	SEG15	SEG16	SEG17	SEG18	SEG19	SEG20	SEG21	SEG22
------	------	------	------	------	------	------	------	------	------	-------	-------	-------	-------	-------	-------	-------	-------	-------	-------	-------	-------	-------

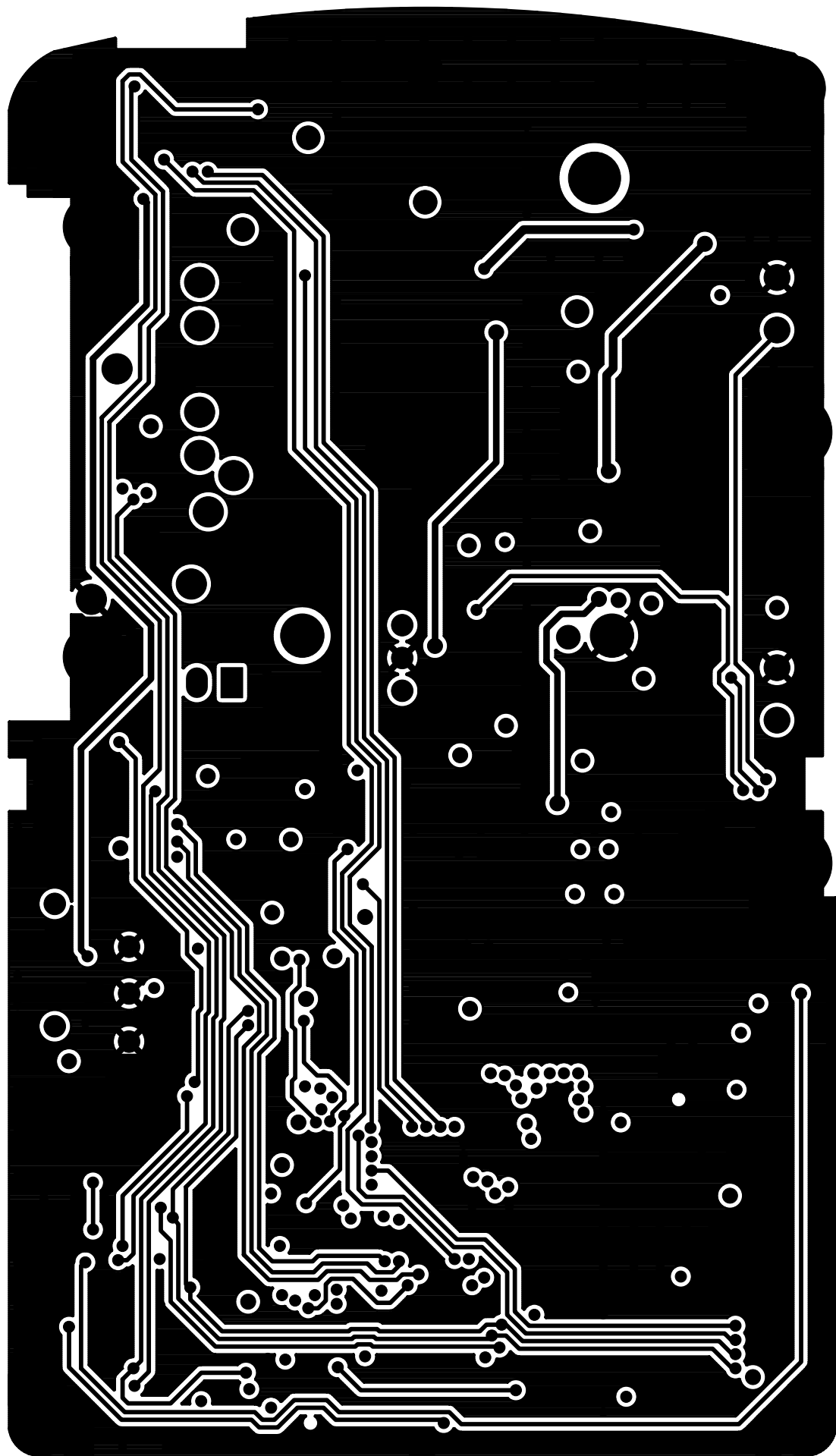




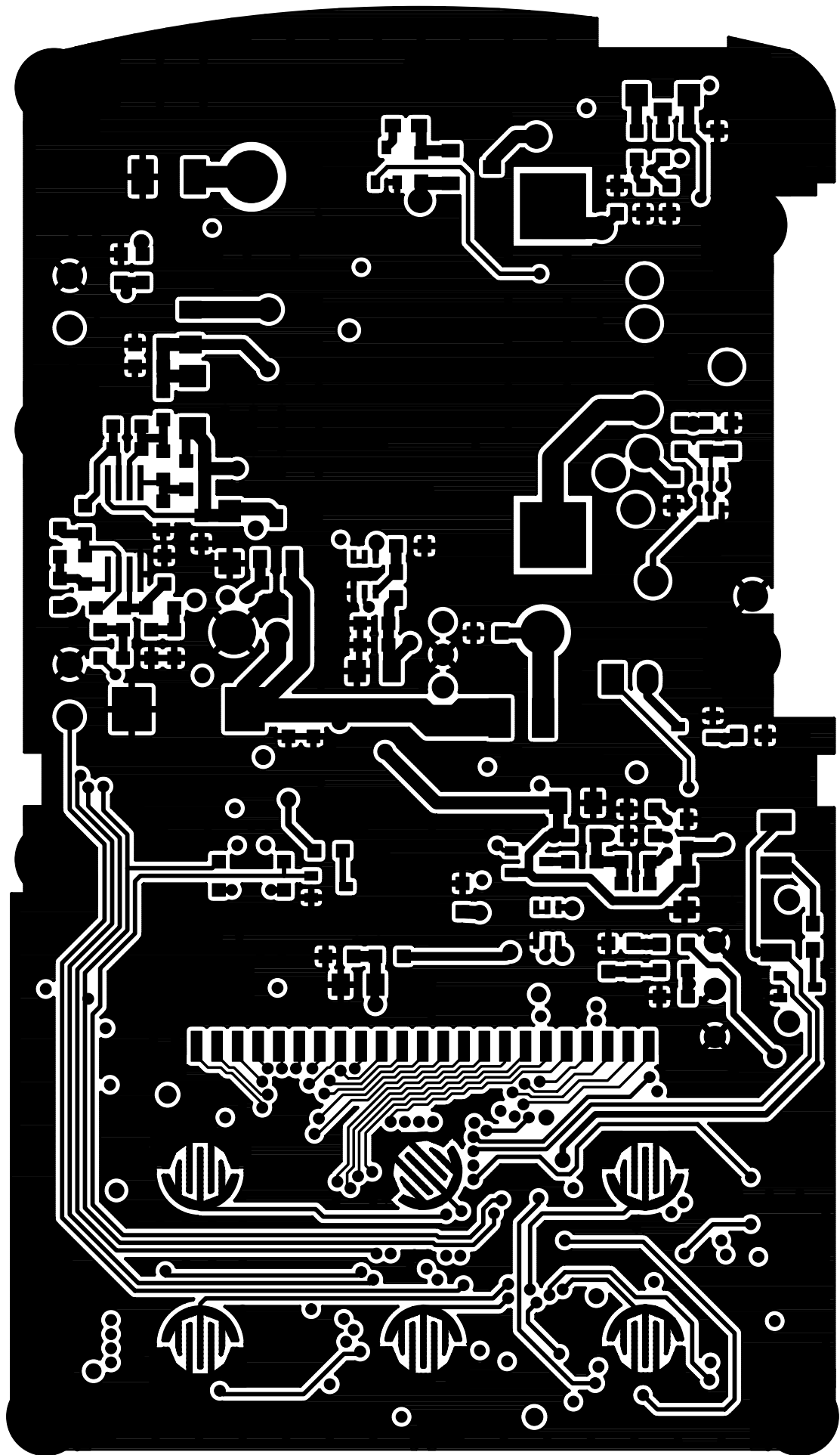
1 # TOP



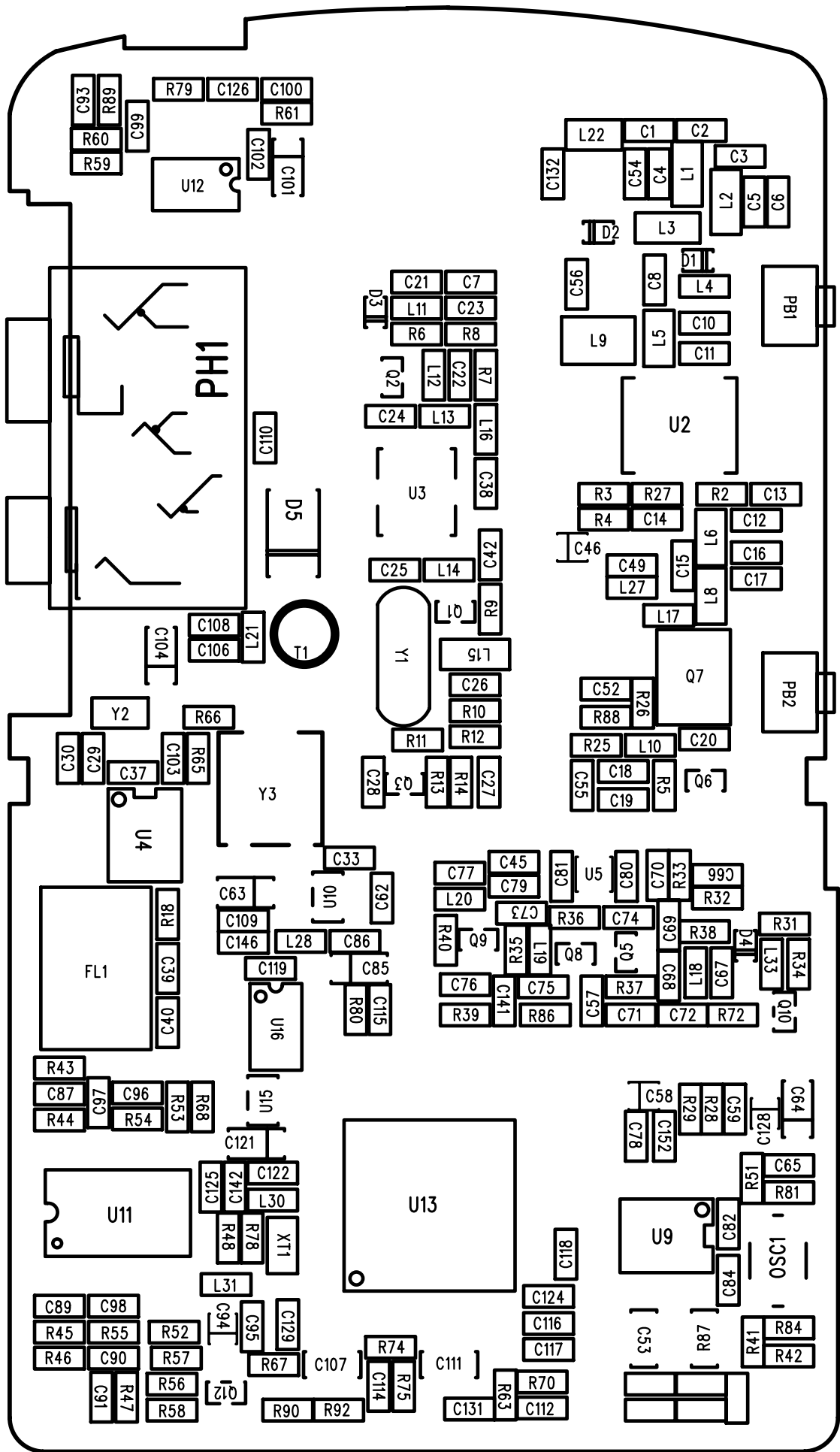
2 # LAYER



3 # LAYER



4 # BOTTOM



Y-022704

